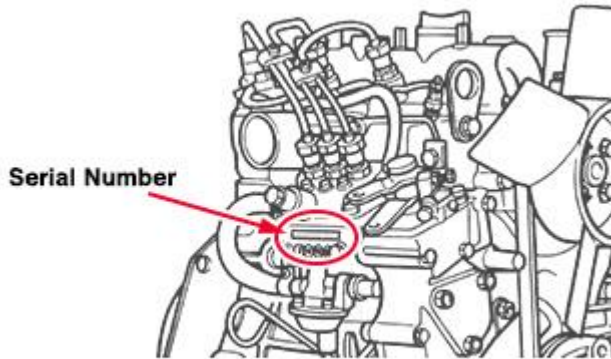


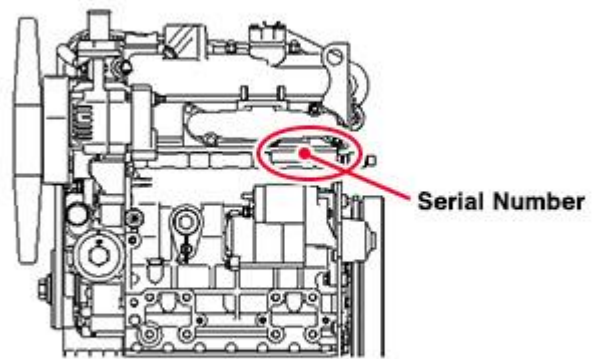
Wo finde ich die Seriennummer.

Kubota Super Mini Series



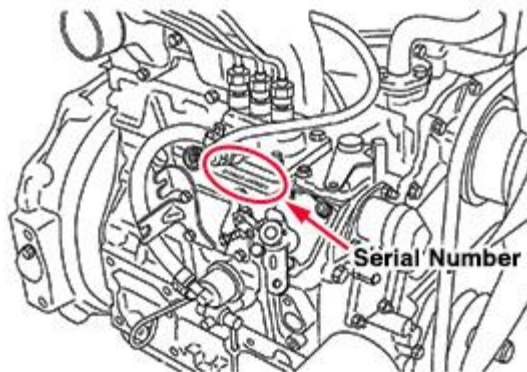
- Located on the side of fixing point of injection pump

Kubota 05 Series



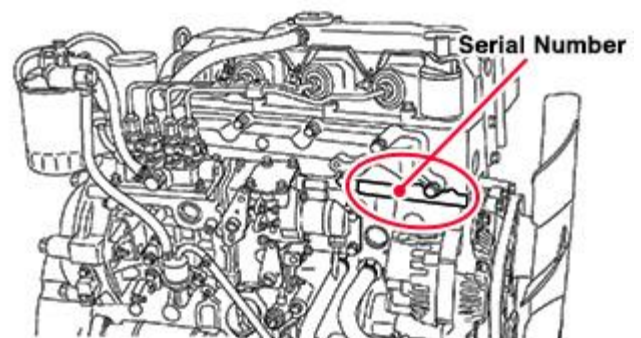
- Below exhaust manifold
- Over crankcase, flywheel side

Kubota 03 Series



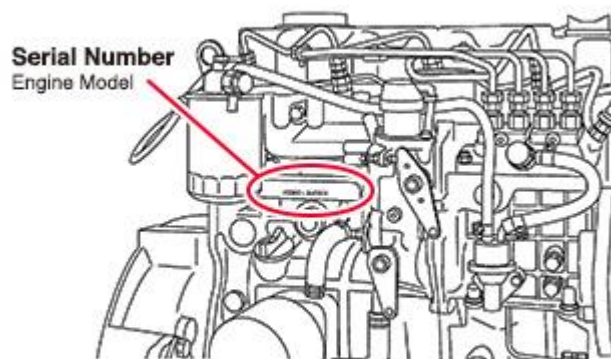
- Located on the mounting surface of injection pump

Kubota 07 Series



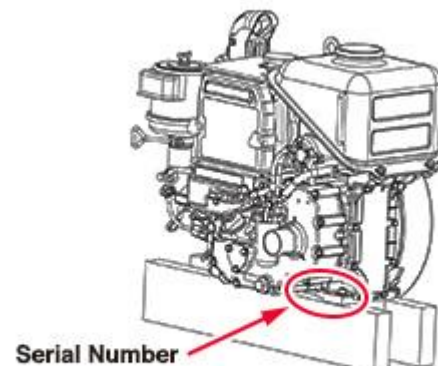
- Below intake manifold
- Over crankcase, fan side

Kubota V3 Series



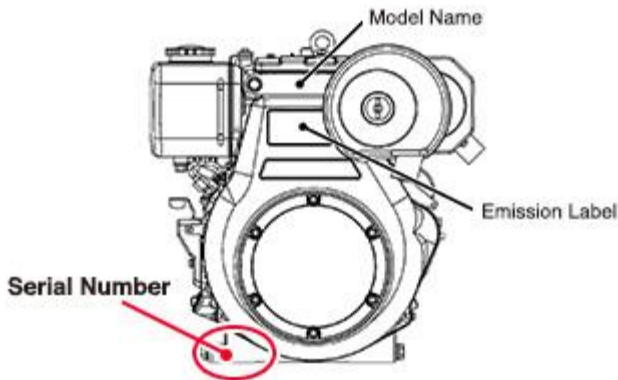
- Below intake manifold
- Over crankcase, flywheel side

Kubota EA/EL Series



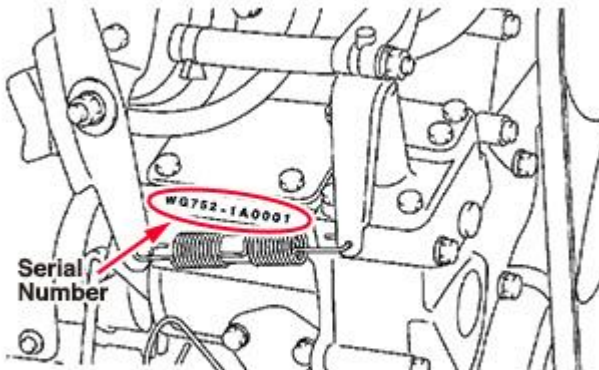
- Mounting surface at gear case side

Kubota OC Series



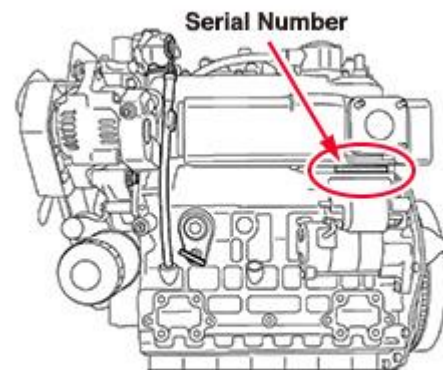
- Mounting surface at fan side

Kubota WG Series (WG752/WG972)



- Located on the side of fixing point of injection pump

Kubota WG Series (WG1605)




- Below exhaust manifold
- Over crankcase, flywheel side

All Engines



- Over cylinder head of engine

IMPORTANT ENGINE INFORMATION 	
THIS ENGINE MEETS (model year Tier X) EMISSION REGULATIONS FOR U.S., EPA AND CALIFORNIA NONROAD ENGINES.	
Kubota	KUBOTA Corporation
MODEL : XXX-ES	ENGINE DISP. : X L
FAMILY : PKBXLX	ECOS : XX
POWER : XX.X kW (XXX rpm)	
VALVE CLEARANCE (COLD) : IN : XXmm EX : XXmm	
INJ. TIMING : XX.X DEG BTD	*CONSTANT SPEED ONLY
THIS ENGINE IS CERTIFIED TO OPERATE ON DIESEL FUEL.	
CONTACT KUBOTA FOR FUEL SETTING.	

Do not use the model information shown on EPA labels.